

Cushyfoot™



Metalastik® type Cushyfoot™

Cushyfoot™ mountings are suitable for many different types of machinery, e.g. diesel engines, generator sets, compressors, fans, hydraulic units and lift machinery.

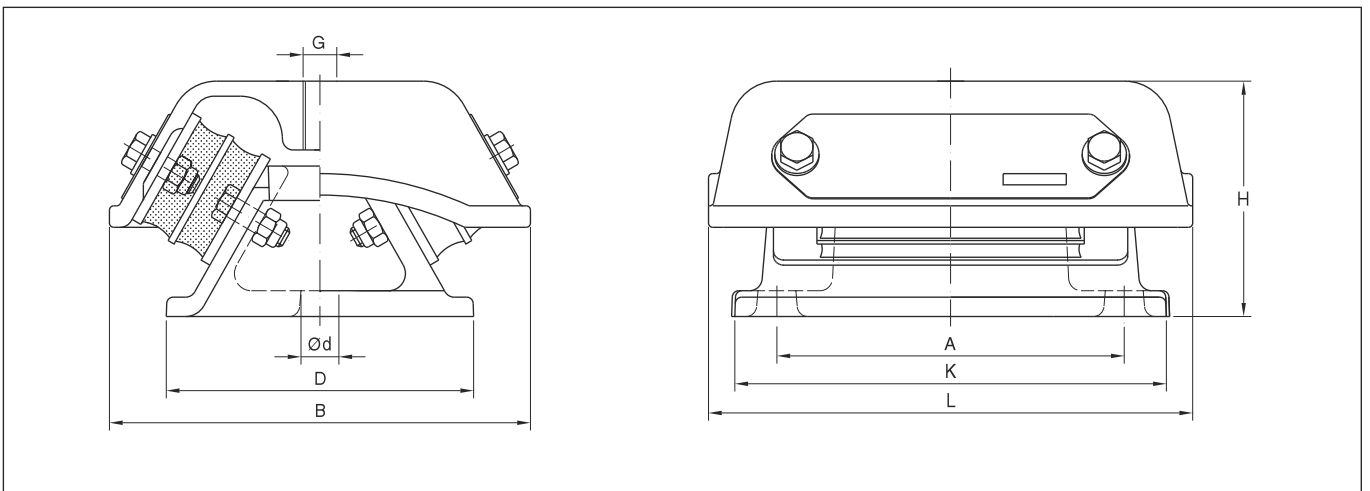
Features

Cushyfoot™ mountings have two rubber elements, used in shear and compression, to provide excellent stiffness characteristics for the isolation of a wide range of vibration frequencies.

There are three sizes, 17-0290 for loads up to 230 kg per mounting, 17-0213 for loads up to 1250 kg and 17-0346, which will carry up to 1280 kg per mounting, but will provide up to 16 mm static deflection.

The Cushyfoot™ mounting has the following features:

- ▼ A wide load range from 50 to 1280 kg.
- ▼ Dissimilar horizontal stiffnesses give optimum vibration isolation and motion control.
- ▼ Strong castings for safety and reliability.
- ▼ Stamped identification plates for product identification.



Drawing no.	Part no.				Dimensions in mm								Weight (Kg)	M Max (Kg)			
	45°IRH	55°IRH	60°IRH	70°IRH	L	B	A	K	H	D	d	G		45°IRH	55°IRH	60°IRH	70°IRH
17-0290	20-00689	-	10-04251	10-04116	122	132	90	114	72	82	13	M16	2,3	120	-	230	400
17-0213	10-04106	-	10-04104	10-04103	230	204	165	205	110	148	18	M16	10	590	-	1250	1650
17-0346	10-04234	-	10-04120	-	230	204	165	205	123	148	18	M16	9,5	630	990	1280	-