

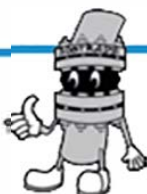
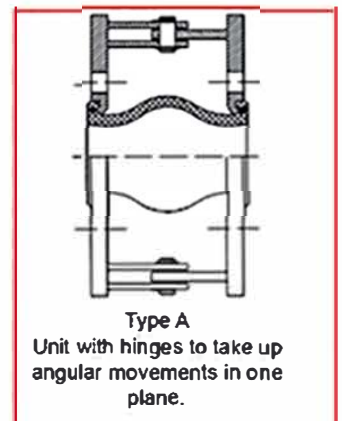
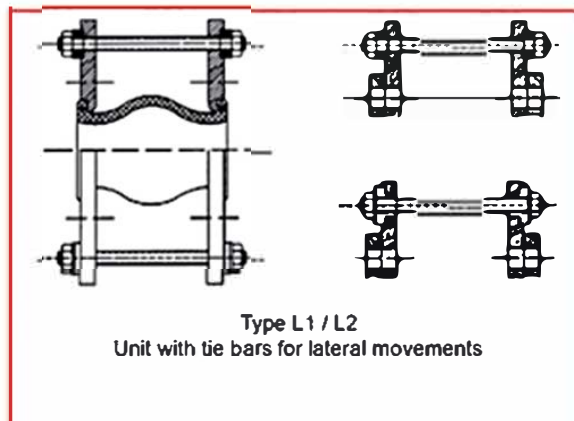
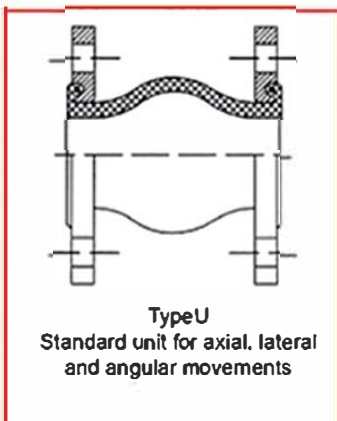


Applications

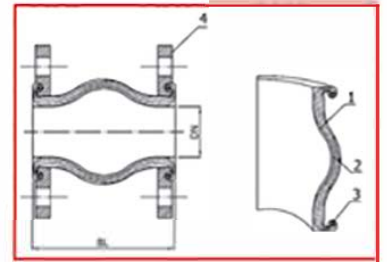
- For applications including heating systems, industrial plants with hot water, vapour and hot air
- Compensate thermal elongation and misalignment
- Isolate vibrations, dampen noise and pressure surges in connection with engines, pumps, turbines
- Rubber bellow resistant for temp. up to 130°C
- Withstand high pressure
- Good performance and long service life
- Turnable flanges – easy to install

Materials

| Colour label | Inner tube | Outer cover | Max. temp. | Applications |
|------------------|-----------------|-----------------|------------|----------------------------------|
| Double red HP | Special EPDM | Special EPDM | 130°C | Hot water, hot air, vapour, etc. |



| | | |
|---|---------------|---|
| 1 | Bellow | Special EPDM |
| 2 | Reinforcement | Aramide |
| 3 | Wire | Hard steel |
| 4 | Flanges | Carbon steel galvanized according to DIN 2501 PN10 or PN16 Other flange standards are available on request |



Dimensions and movements

| DN mm | BL mm | Eff. cross-sectional area Q (cm ²) | Permissible movements | | | | Max. vacuum | | Weight | |
|----------|----------|---|-----------------------|------------------|----------------------|---------------------|----------------------|-----------------------|--------------------|-------------------------------|
| | | | Compression mm | Elongation mm | Lateral +/- mm | Angular +/- ° | W/o support ring bar | With support ring bar | With flanges kg | With flanges & limiters kg |
| 25/32 | 130/150 | 35 | 30 | 20 | 20 | 35 | 0.8 | 1.0 | 3 | 4 |
| 40 | 130/150 | 45 | 30 | 20 | 20 | 35 | 0.8 | 1.0 | 3 | 5 |
| 50 | 130/150 | 56 | 30 | 20 | 20 | 35 | 0.7 | 1.0 | 4 | 5 |
| 65 | 130/150 | 79 | 30 | 20 | 20 | 30 | 0.6 | 1.0 | 5 | 7 |
| 80 | 130/150 | 104 | 30 | 20 | 20 | 30 | 0.5 | 1.0 | 6 | 8 |
| 100 | 130/150 | 136 | 30 | 20 | 20 | 25 | 0.5 | 1.0 | 7 | 10 |
| 125 | 130/150 | 188 | 30 | 20 | 20 | 25 | 0.4 | 1.0 | 8 | 12 |
| 150 | 130/150 | 254 | 30 | 20 | 20 | 15 | 0.3 | 1.0 | 10 | 16 |
| 200 | 130/200 | 415 | 30 | 20 | 20 | 15 | 0.3 | 1.0 | 15 | 23 |
| 250 | 130/200 | 615 | 30 | 20 | 20 | 10 | 0.2 | 1.0 | 20 | 33 |
| 300 | 130/200 | 855 | 30 | 20 | 20 | 10 | 0.2 | 1.0 | 24 | 44 |
| 350 | 200 | 1290 | 30 | 20 | 20 | 10 | 0.2 | 1.0 | 32 | 54 |
| 400 | 200 | 1628 | 30 | 20 | 20 | 10 | 0.2 | 1.0 | 45 | 71 |
| 450 | 200 | 2054 | 30 | 20 | 20 | 10 | 0.2 | 1.0 | 52 | 81 |
| 500 | 200 | 2546 | 30 | 20 | 20 | 10 | 0.2 | 1.0 | 63 | 100 |
| 600 | 200 | 3466 | 30 | 20 | 20 | 6 | 0.2 | 1.0 | 95 | 140 |

Note: Maximum values do not apply simultaneously.

Optional equipment: Vacuum rings (stainless steel), Flame guard etc. are available on request.

Pressure rating

| Pressure | Temperature | DN 25 - DN 150 | DN 200 - DN 300 | DN 350 - DN 600 |
|-----------------------|----------------|------------------|-----------------|-----------------|
| Max. working pressure | 100°C 130°C | 16 bar 10 bar | 10 bar 6 bar | 10 bar 6 bar |
| Test pressure | 20°C | 25 bar | 15 bar | 15 bar |
| Burst pressure | 20°C | >60 bar | >60 bar | >30 bar |

Certificates



Distribution:
Achterzeedijk 57, unit 8, NL-2992 SB Barendrecht
Tel. +31.180.624.589 Fax. +31.180.690.758
www.flexico.nl

